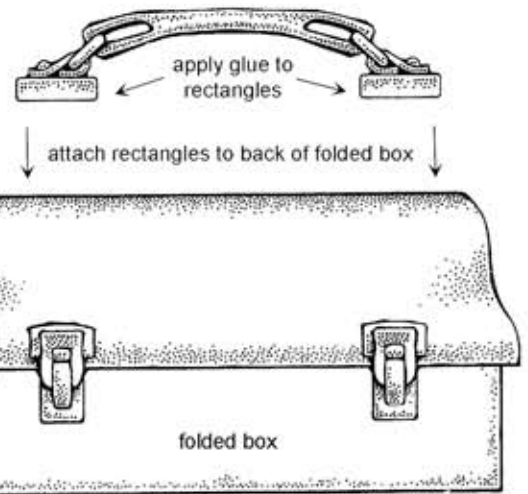
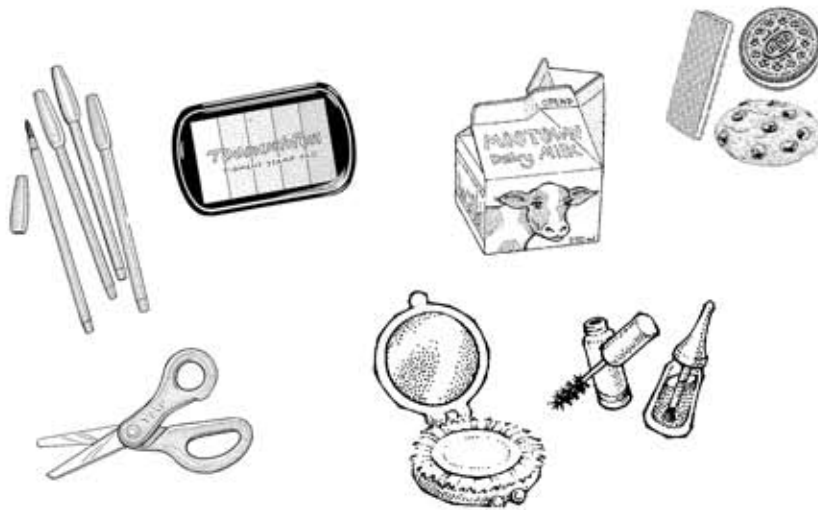
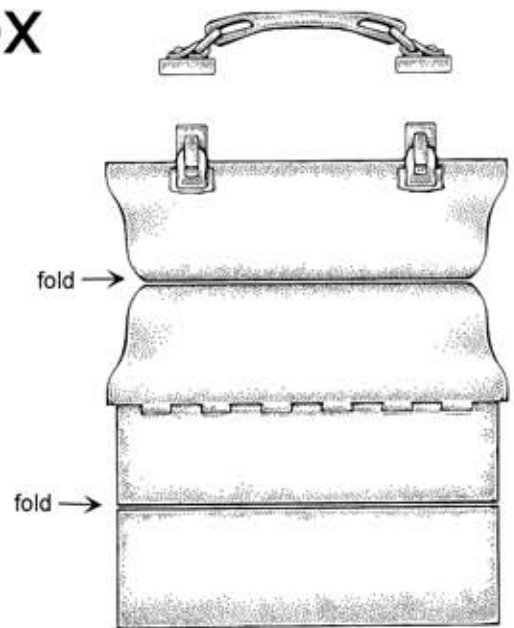


Folding Lunchbox/Toolbox

Toomuchfun's unique Folding Lunchbox/Toolbox creates cool retro lunchboxes and fun toolboxes for use as shaped cards and gift holders!

Fill a Lunchbox or Toolbox with gift cards from home improvement stores, craft stores, beauty stores, and restaurants. Or, use them for holding school photos, notepads, and small gifts and favors. They also make great greeting cards and invitations!

Our Lunchbox/Toolbox is very easy to use! Stamp the design onto your paper, then cut out and fold on the two indicated lines. Stamp and cut out the handle, then attach to the back of the folded box with glue.



Personalize your lunchboxes and toolboxes with our collection of accessory stamps! Stamp, cut out, and attach cookies and milk, picnic foods, wrenches and hammers, stamping and scrapping tools, make up, and more! You can also "fill" your lunchboxes and toolboxes by stamping the accessory designs directly onto the inside of the box.



The Lunchbox/Toolbox can be stamped onto colored cardstock or onto patterned papers and scrapbook papers. For a more realistic look, stamp the handle portion of the box on a coordinating color of cardstock. Then, reink the "latch" portions of the box and stamp onto silver or gray paper. Cut out and glue into the appropriate places for the look of "chrome."