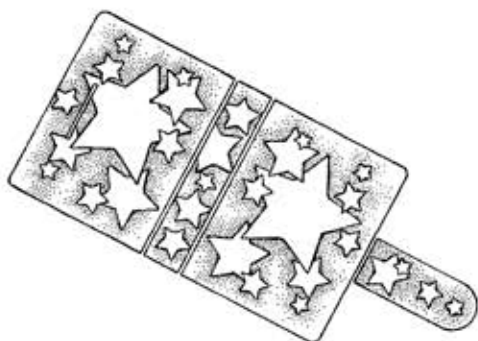
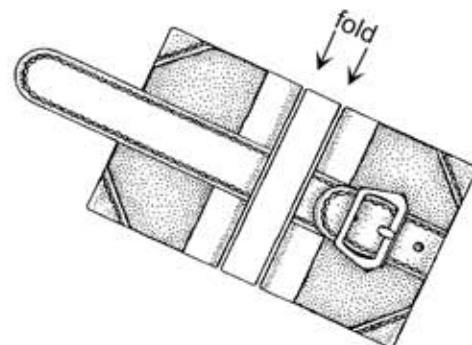
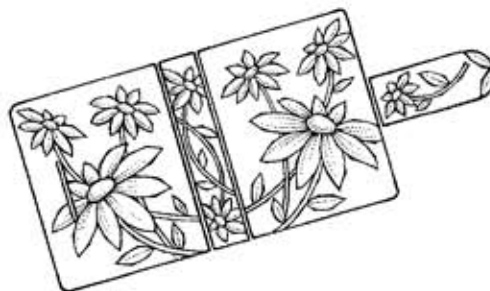
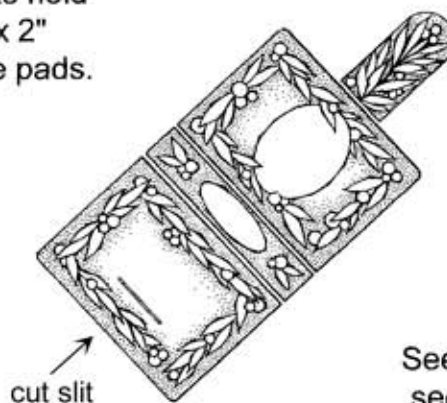


Mini Books

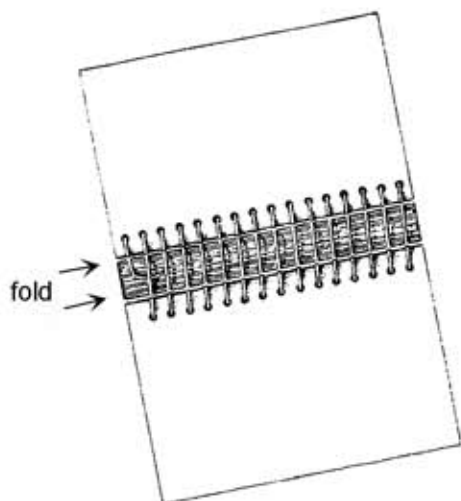
Our Mini Book designs make adorable little booklets for holding small sticky note pads! They can also be used as tiny photo albums for holding school pictures. Just stamp, color, cut, and fold. Cut along the indicated slit with a craft knife and tuck in the closure tab. Or, use a small piece of velcro to attach the closure tab to the back of the book.



Our smaller sized Mini Books hold 1 1/2" x 2" sticky note pads.



See the Gallery section of our website for sample ideas!



Our two larger Mini Book styles hold 2" x 3" sticky note pads and have open areas that allow you to customize your books with other stamped images, stickers, or embellishments. Or, for a different look, stamp and emboss the designs on patterned paper.

